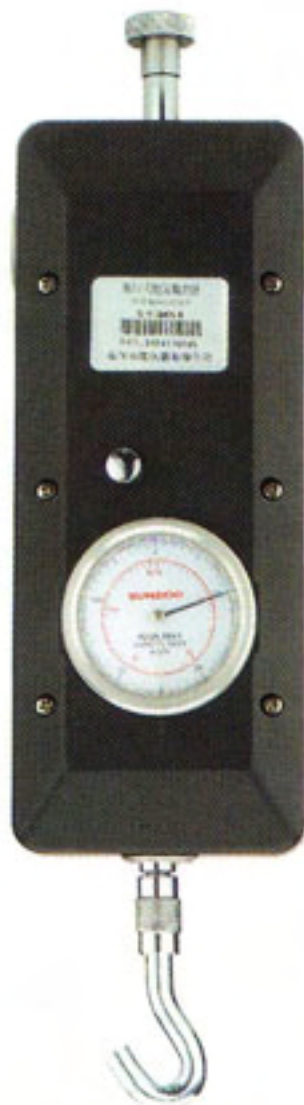


## SN and SKN Series of Analogue Push Pull Gauge

The SN&SKN series are Analogue Push Pull Gauge with compact size and high accuracy. They are easy to operate and handy to carry out. Single click on a knob on the device will convert the movement of the indication needle from the peak force indication (the needle stands still indicating peak force) to the tracking indication (the needle moves in accordance with change of force). The gauges are applied to electron & electric, wire cable, light textile, hardware, architecture, engine and mechanical field.

### SPECIFICATION

- With easy operation, and can be installed with all kinds of tester stand and clamp.
- Needle direction, easy reading, high accuracy.
- Peak holding function and track.
- Tolerance indication.
- Two units can be showed on the dial at the same time.



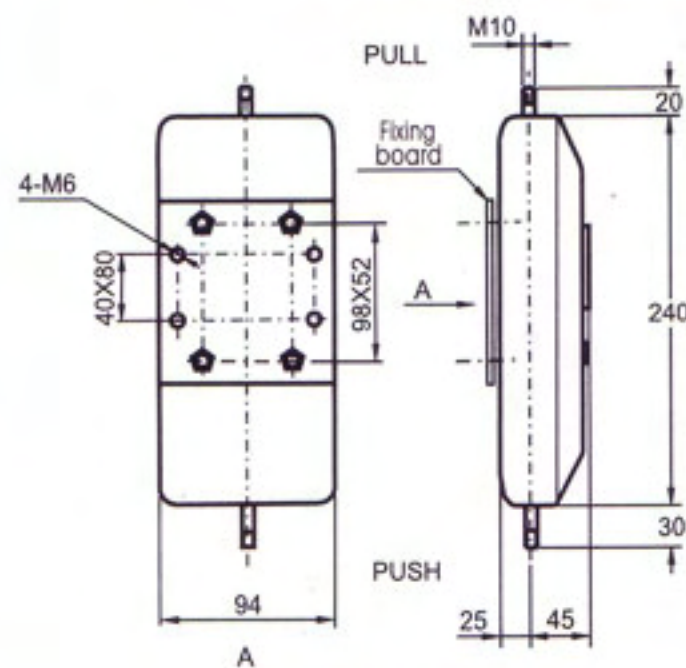
SKN Series



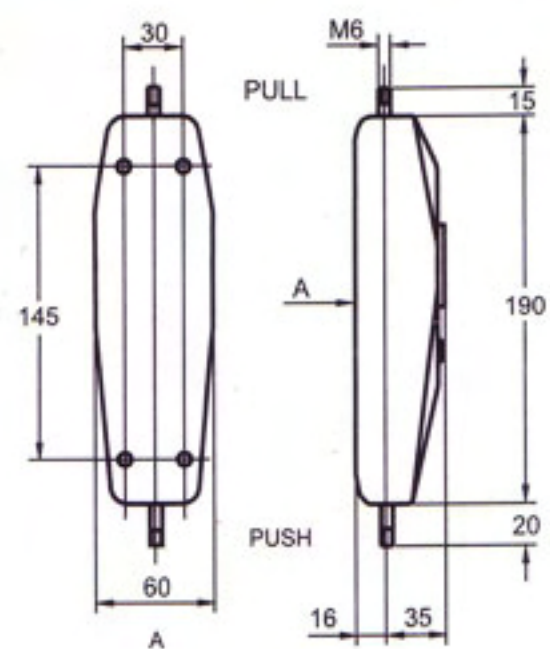
Package & Accessories



SN Series



SKN Dimension



SN Dimension

### PARAMETER

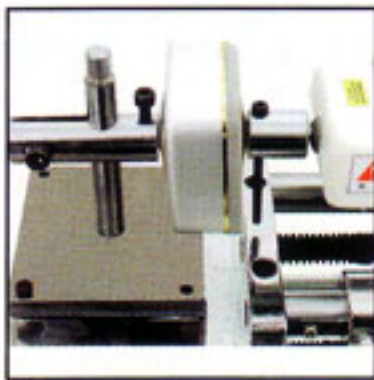
Model:	SN-10	SN-20	SN-30	SN-50	SN-100	SN-200	SN-300	SN-500	SKN-1	SKN-2	SKN-3	SKN-5
Capacity:	10N	20N	30N	50N	100N	200N	300N	500N	1000N	2000N	3000N	5000N
Resolution:	0.05N	0.1N	0.2N	0.2N	0.5N	1N	2N	2N	5N	10N	20N	20N
Accuracy:	±1%								±2%			

## Clamps

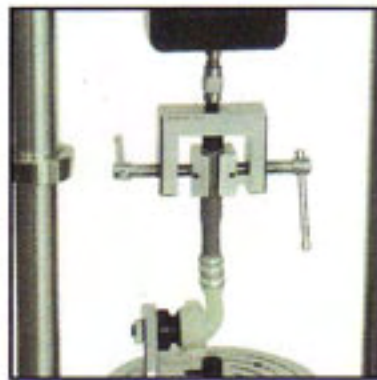
We can provide many kinds of clamps as your requirement .



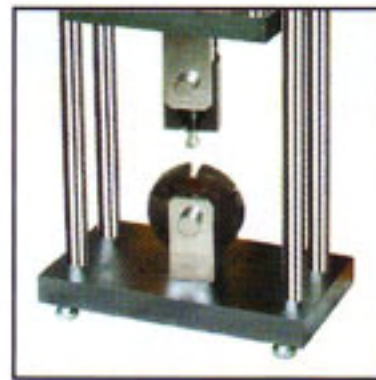
## SH/SN/SKN Series Force Gauge Test Demonstration



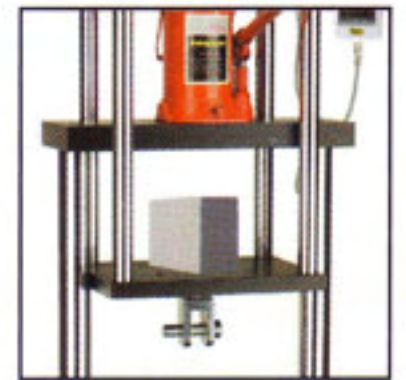
Test tensile of cosmetic case



Test tensile of plastic joint



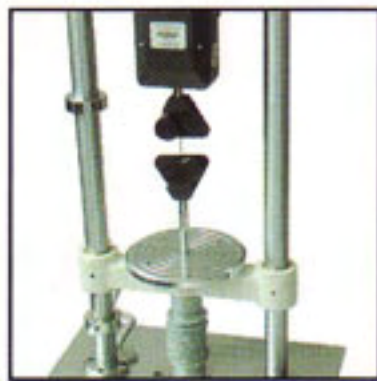
Test Tensile Strength of Standard Components



Test pressure of concrete



Test tensile of fire extinguisher safety pin



Test tensile of steel wire



Test pressure of electrical equipment cell



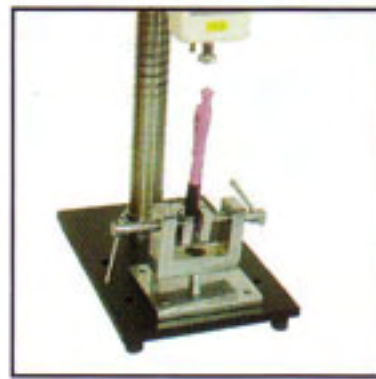
Test thrust & pull of injector



Test Pressure of Button



Test Pressure of Lighter



Test pressure of ball pen



Test Pressure of PC Keyboard Button



Compress Test the compression of automobile component



Test tension of fishing thread



Test Tensile Strength of Brush



Test tensile of Cloth