



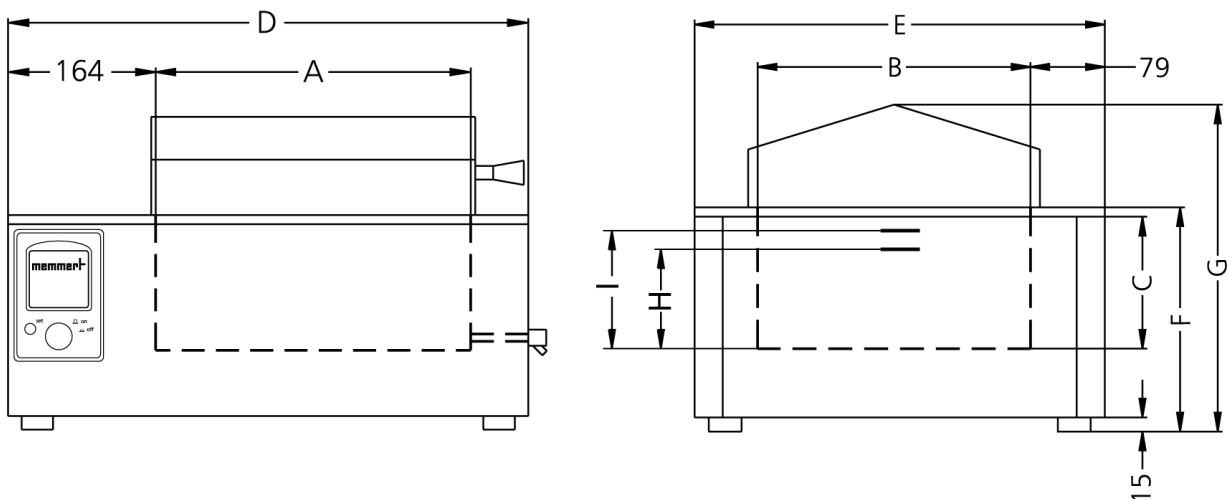
## Waterbath

### WNB 45

The combination of corrosion-resistant stainless steel, precise electronics and multiple temperature protection guarantees the highest level of safety in the laboratory.



On this page, you can find all the essential technical data on the Memmert water bath. Our customer relations team will be pleased to help if you want further information. If you should require a customised special solution, please contact our technical specialists at [myAtmoSAFE@memmert.com](mailto:myAtmoSAFE@memmert.com).



## Temperature

**Temperature range in °C** min. 5°C above ambient up to +95°C with additional boiling mode (+100°C)

## Control of standard components

**Temperature** 1 Pt100 sensor class A in 4-wire-circuit

**Timer** integrated digital timer from 1 min. to 99,99 hours for:ON continuous operationWAIT (delayed on for continuous andlimited timed operation)HOLD

## Safety

**Temperature control** mechanical temperature limiter TB protectionclass 1 switching the heating off at approx. 30°Cabove max. temperature of the bath

**Temperature control** in case of overtemperature due to failure,the heating is switched off at approx. 10°Cabove the set temperature (fixed value)

**Autodiagnostic system** microprocessor PID-temperature controllerwith integrated autodiagnostic system withfault indicator

## Heating concept

**Heating Baths** corrosion-proof large-area heating onthree sides

## Standard equipment

**Controller** digital display (LED) of set and actualtemperature (0,1°C resolution) and of (remaining)programme time

## Stainless steel interior

**Interior** easy-to-clean interior, made of stainlesssteel, reinforced by deep drawn ribbing,material no. 1.4301 (ASTM 304), laser-welded

**Volume** 45 l

**Dimensions W x H x D in mm**  $w_{(A)} \times h_{(B)} \times d_{(C)}$ : 590 x 350 x 220 mm

**Liquid level min.** (H) 177 mm

**Liquid level max.** (I) 200 mm

## Textured stainless steel casing

**Dimensions**  $w_{(D)} \times h_{(E)} \times d_{(F)}$ : 818 x 516 x 296 mm

### Electrical data

Voltage 230 V, 50/60 Hz

Electrical load approx. 2800 W (during heating)

---

### Packing/shipping data

the appliances must be transported upright

Customs tariff number 8419 8998

Country of origin Federal Republic of Germany

WEEE-Reg.-No. DE 66812464

Dimensions approx incl. carton B x H x T: 910 x 610 x 460 mm

Net weight approx. 26 kg

Gross weight carton approx. 33 kg

---

Standard units are safety-approved and bear the test marks

