



**1455 Kleppe Lane, Sparks, NV 89431-6467 * (775) 359-4712 * fax: (775) 3597424
** Bachweg 3, CH-3401 Burgdorf, Switzerland *(34) 423 2300 * fax: (34) 423 2301
** 5 Woodlands terrace, #03-01, Singapore 729513 * (65) 6367 0359 * fax: (65) 6269 4110
* e-mail: enquiry@haws.sg website: www.hawscos.com

8300/8309SS Axion

Specifications

Shower Head: 10" Axion stainless steel head

Activation: Single motion stainless steel pull rod operating a stay open stainless steel CF8M ball valve.

Sign: Universal emergency sign included.

Standard: 9" diameter stainless steel floor flange with stainless steel 304 sch40 piping. Stanchion incorporates a supply fitting that separates supply and waste. Two 21" long self adhesive high visibility stripes in Safety green and bright yellow to improve visibility.

EYEWASH & EYE/FACE WASH

Receptor: 11" stainless steel with #7 bright finish on exterior.

Heads: SP65SS Stainless steel anti-surge eyewash heads. Dust cover (9091) protect heads and automatically release with water pressure.

Activation: Rigid stainless steel push flag operate a stay open type stainless steel CF8M ball valve.

Stream Control: Steady water flow under varying pressures assured with dual automatic pressure compensation devices.

Strainer: Fully serviceable in-line, 50x50 mesh strainer filters debris from reaching the eyewash.

DETAILS

Supply: 1-1/4" NPT (F)

Waste: 1-1/4" NPT (F)

Optional Part (additional cost):

SP220SS Foot Treadle

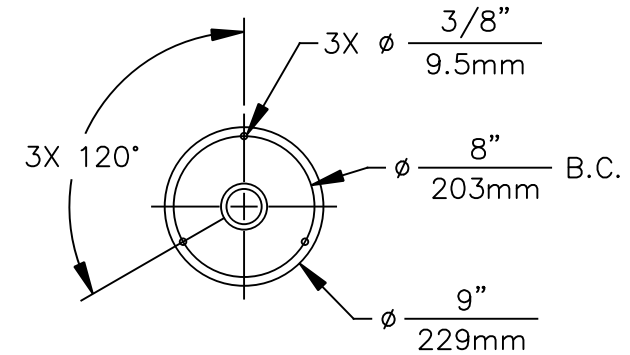
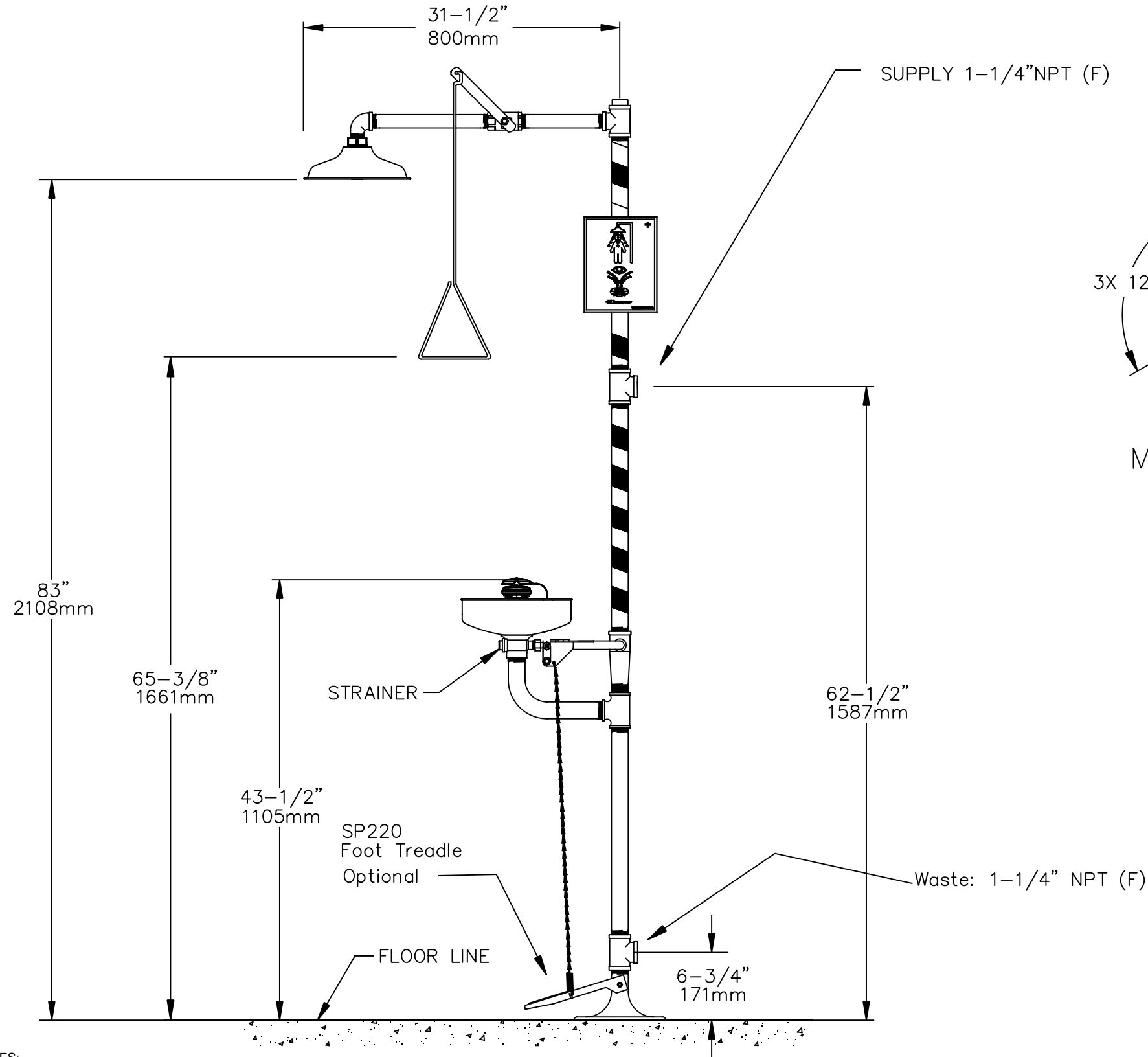


** picture shown after installation and for illustration purpose only*

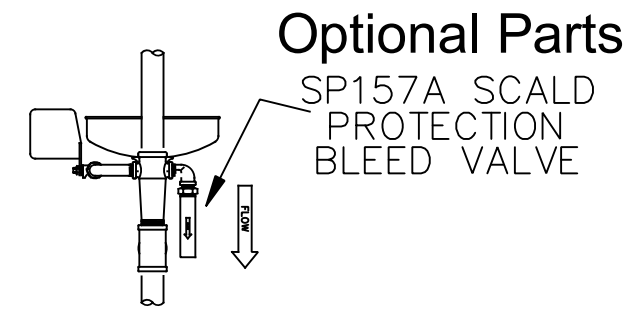
Disclaimer:

Illustrations, detail drawings and accompanying descriptions describe standard features and sometimes optional variations of each product. They do not necessarily show or describe all the variations available. All designs are subject to change without notice and unless stated in the order, material will be furnished of design in effect at the time the order is filled. As may be necessary, we reserve the right to substitute materials and/or to make changes in design or other specification, as shown and described in any of our printed literature, without liability to purchasers.

Notice: Model shown meet ANSI standard and OSHA rules and regulations relating to this type of product. Units should be tested regularly.



MOUNTING DETAIL



BACK VIEW

NOTES:

- DIMENSIONS MAY VARY BY $\pm 1/2$ INCH [13mm].
- TO COMPLY WITH ANSI Z358.1-2009 FOR EMERGENCY EYEWASH OR EYE/FACE WASH AND SHOWER EQUIPMENT:
 - UNIT SHALL BE INSTALLED IN ACCORDANCE WITH MANUFACTURER'S INSTRUCTIONS AND ACCEPTABLE PLUMBING PRACTICES.
 - EYEWASH OR EYE/FACE WASH SHALL BE POSITIONED WITH NOZZLES NOT LESS THAN 83.8 CM (33 IN.) AND NO GREATER THAN 114.3 CM (45 IN.) FROM SURFACE ON WHICH USER STANDS AND 15.3 CM (6 IN.) MINIMUM FROM WALL OR NEAREST OBSTRUCTION.
 - SHOWER SHALL BE POSITIONED SO THAT SHOWER HEAD IS NOT LESS THAN 208.3 CM (82 IN.) NOR MORE THAN 243.8 CM (96 IN.) FROM SURFACE ON WHICH USER STANDS.
 - SHOWER SPRAY PATTERN SHALL HAVE A MINIMUM DIAMETER OF 50.8 CM (20 IN.) AT 152.4 CM (60 IN.) ABOVE SURFACE ON WHICH USER STANDS, AND CENTER OF SPRAY PATTERN SHALL BE LOCATED AT LEAST 40.6 CM (16 IN.) FROM ANY OBSTRUCTION.

		Haws corporation		1455 KLEPPE LANE SPARKS, NEVADA 89431 (775) 359-4712 FAX (775) 359-7424 E-MAIL: HAWS@HAWSCO.COM WEBSITE: WWW.HAWSCO.COM	
				ECN NO. _____ REVISED PER ECN: _____ DATE: _____ BY: _____ CHKD: _____	MODEL(S): 8300-8309SS+SP157+SP220SS INFO FAX DOC #: SCALE: _____ DRAWING TYPE: _____
APPROVED: _____ DATE: _____				SIZE: A SHEET 1 OF 1	

DWG. NO. 09461A00